

**TECHNICAL SPECIFICATIONS**



Centrifugal fans that are direct drive, single inlet backward inclined. Suitable for the extraction of gases and fumes.

Air Volume: 2300 m<sup>3</sup>/hr  
 Max Air Velocity: 36 m/s  
 Motor Size: 1.5 Kw  
 Inlet Size: 150 mm  
 Outlet Size: 150mm

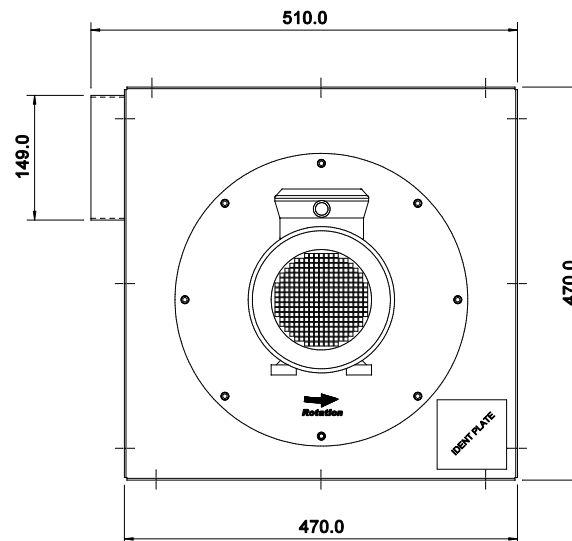
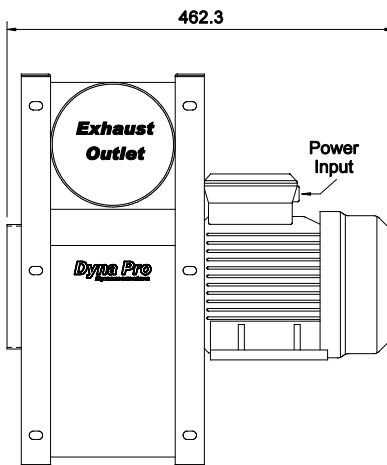
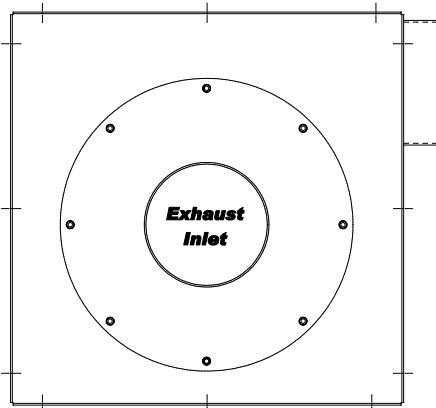
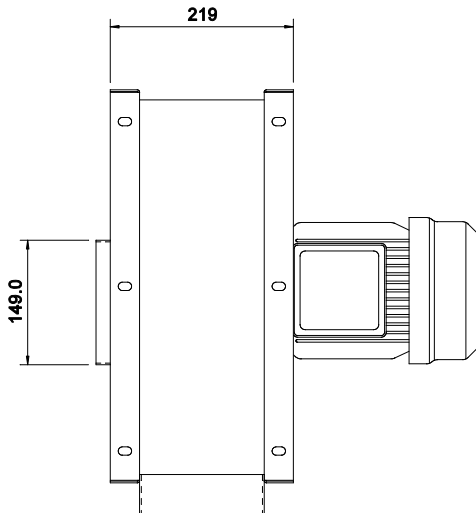
200-240V ac Single Phase  
 380-440V ac 3 Phase

Weight: 38 Kg  
 Fixing Hole Size M10 Clearance

Left Hand and Right Hand Available  
 (Left Hand Shown)

Exhaust Fan Model Numbers:-  
 DP-EGF-150-R-1 (Right Hand Fan - Single Phase)  
 DP-EGF-150-R-3 (Right Hand Fan - 3 Phase)

DP-EGF-150-L-1 (Left Hand Fan - Single Phase)  
 DP-EGF-150-L-3 (Left Hand Fan - 3 Phase)



Specifications subject to change without notice.

**Dyna Pro**  
 Dynamometers

Unit 18 Sherrington Way  
 Lister Road Industrial Estate  
 Basingstoke Hampshire  
 United Kingdom RG24 4DQ  
 Tel UK: 08000 4321 68  
 Tel Int.: +44(0) 1256 363 063  
 www.dynapro.co.uk  
 Copyright © Dyna Pro Dynamometers Ltd 2012

ISSUE	CHANGE / CHANGE NOTE No.	DATE	DRAWN	DATE	CHECKED
A	FIRST PRODUCTION	27/01/12	K.W DENT	27/01/12	
TITLE			SHEET 1 OF 1 SCALE 1:1		
Exhaust Extractor Fan (Left Hand)			DRAWING No.		ISSUE
			DP-EGF-150-L		A