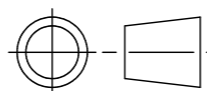


DRAWN TO BS 308



3RD ANGLE PROJECTION

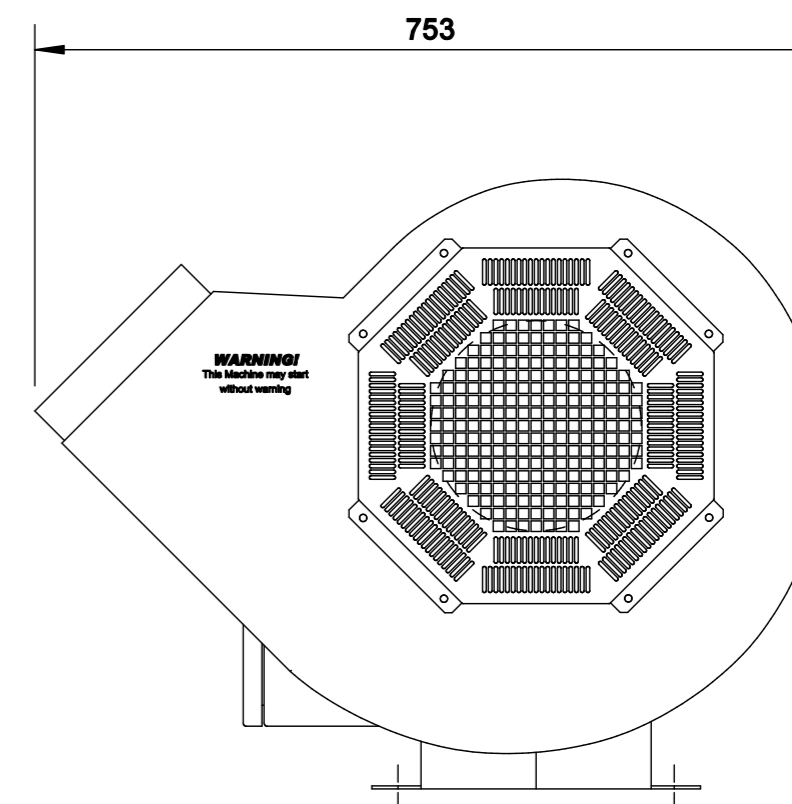
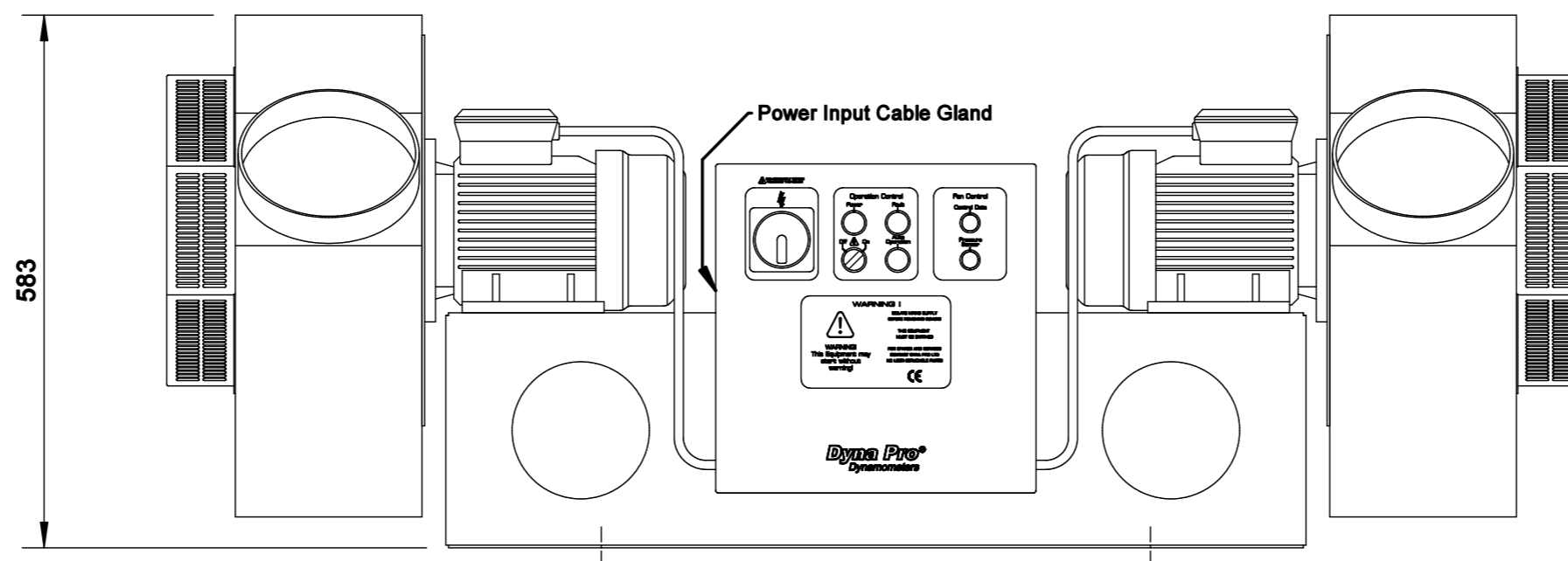
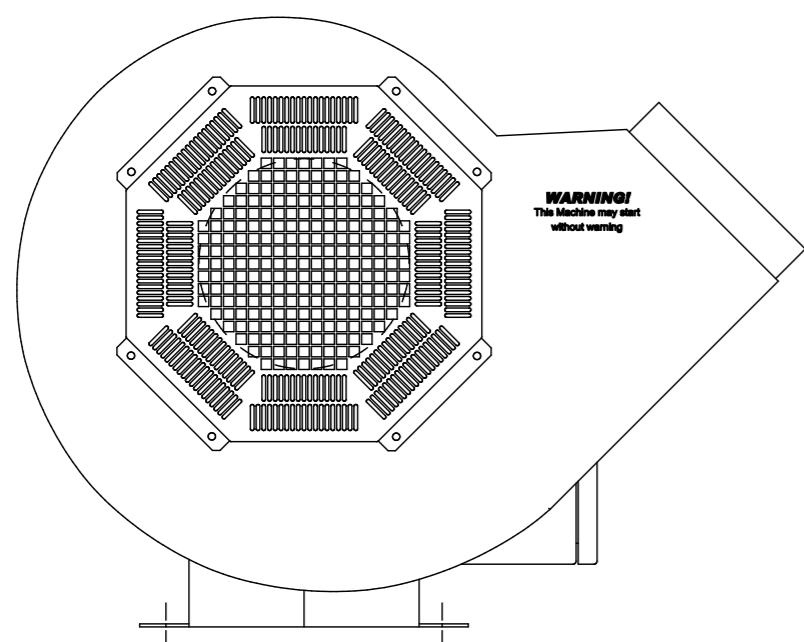
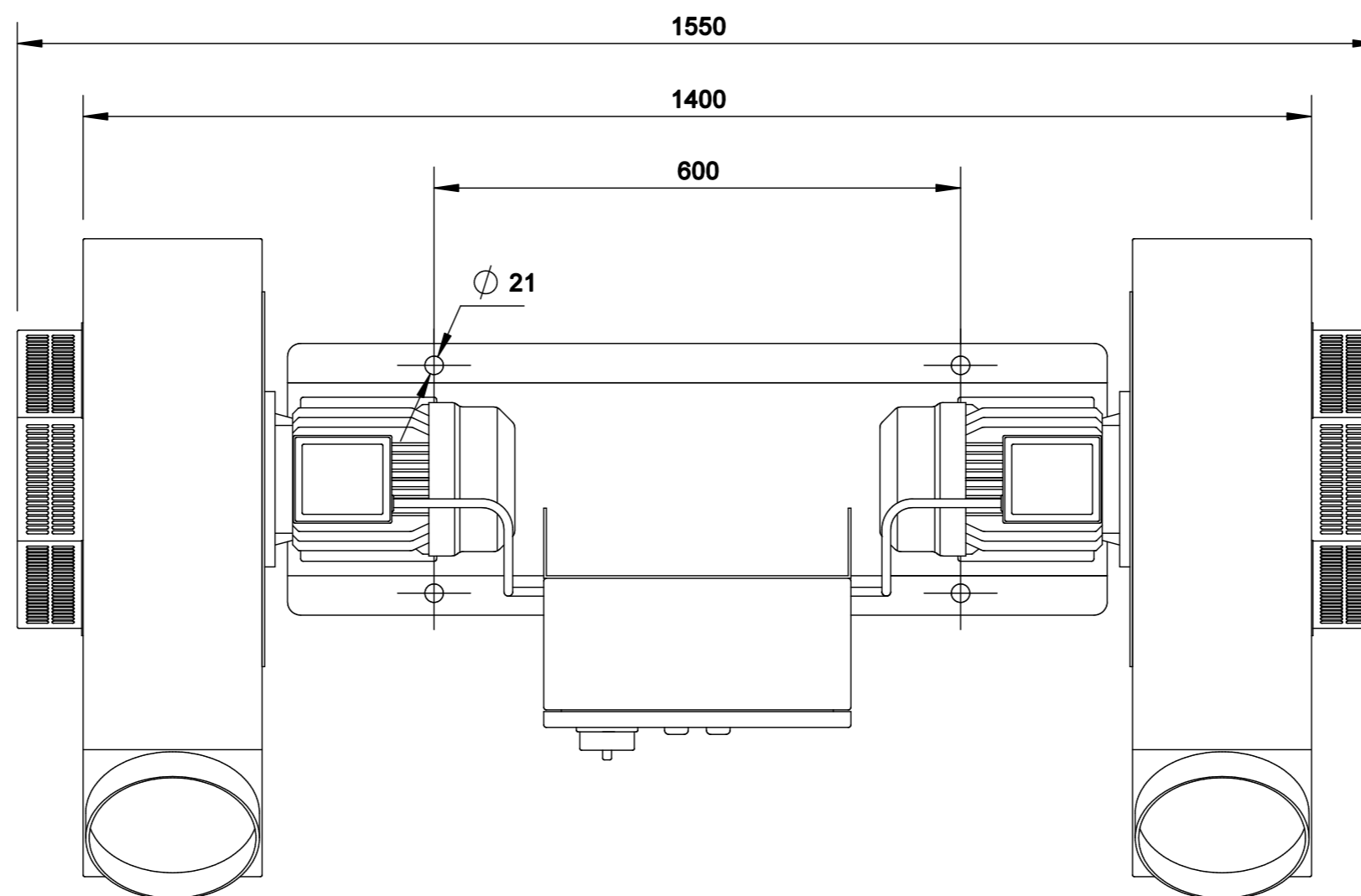
REMOVE ALL BURRS & SHARP EDGES

Power Specification

Single Phase 200/240 Vac 50/60Hz
Max Current 40A
Cable Size 6mm²

Specification

Fan Speed fully controllable via software
Machine weight 350Kg
Controlled by Dyna Run Software
Volume 6000/9000m³Hr
Max Static Pressure 1.2kPa
Max Sound Level 80dB



Specifications subject to change without notice.

Dyna Pro Dynamometers	ISSUE	CHANGE / CHANGE NOTE No.	DATE	DRAWN	DATE	CHECKED
	A	FIRST PRODUCTION	19/10/09	K.W DENT	19/10/09	
Unit 18 Sherrington Way Lister Road Industrial Estate Basingstoke Hampshire United Kingdom RG24 4DQ Copyright © Dyna Pro Dynamometers Ltd 2011	Tel +44 (0) 8000 4321 68 www.dynapro.co.uk		SHEET 1 OF 1		SCALE 1:1	
TITLE			DRAWING No.		ISSUE	
Power Fan System (RAM-Air)			DP-PF-1000-1A		A	