

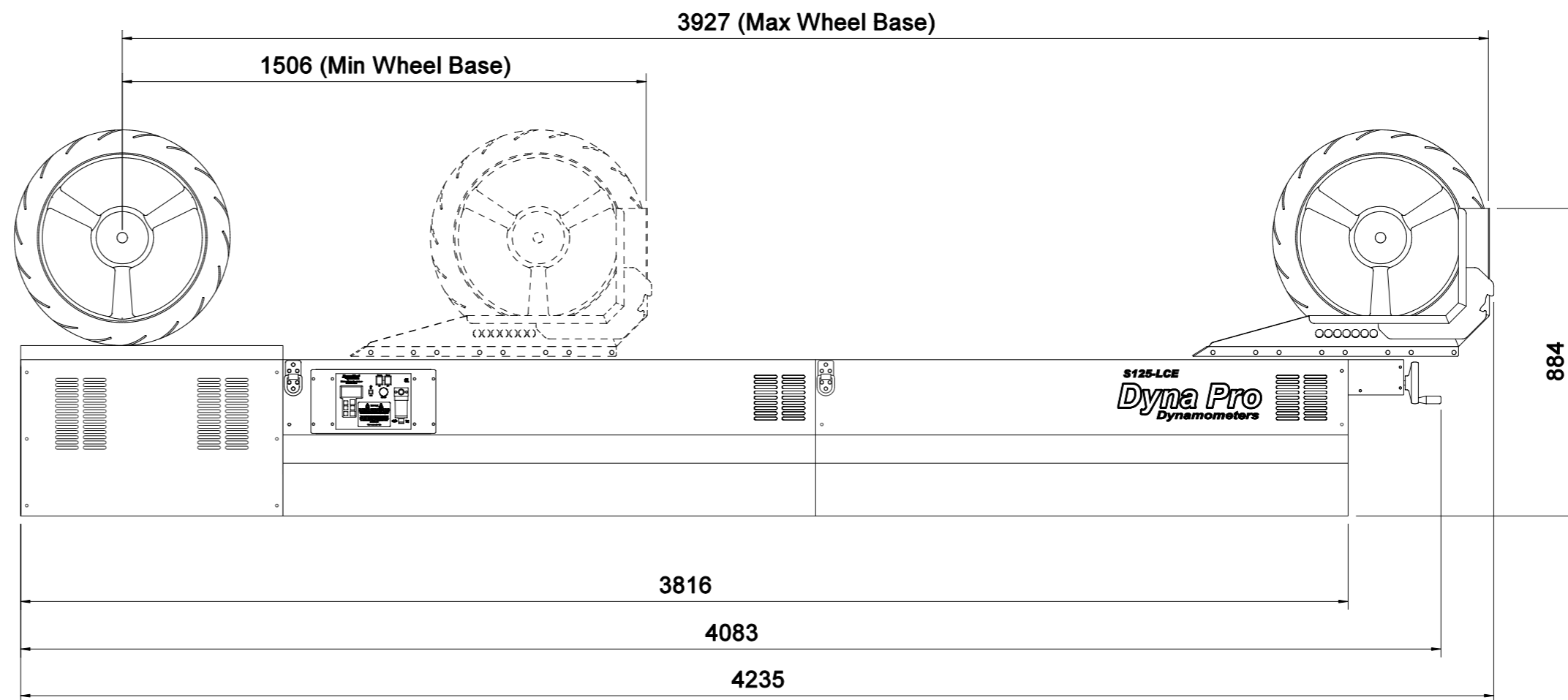
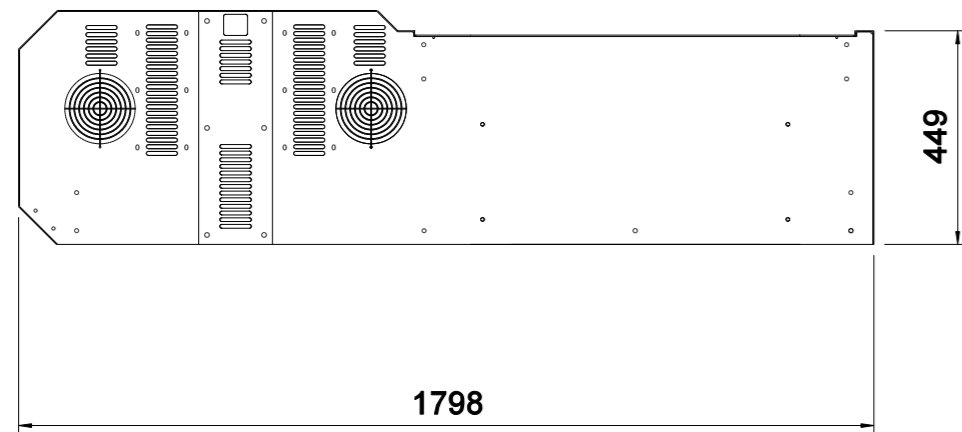
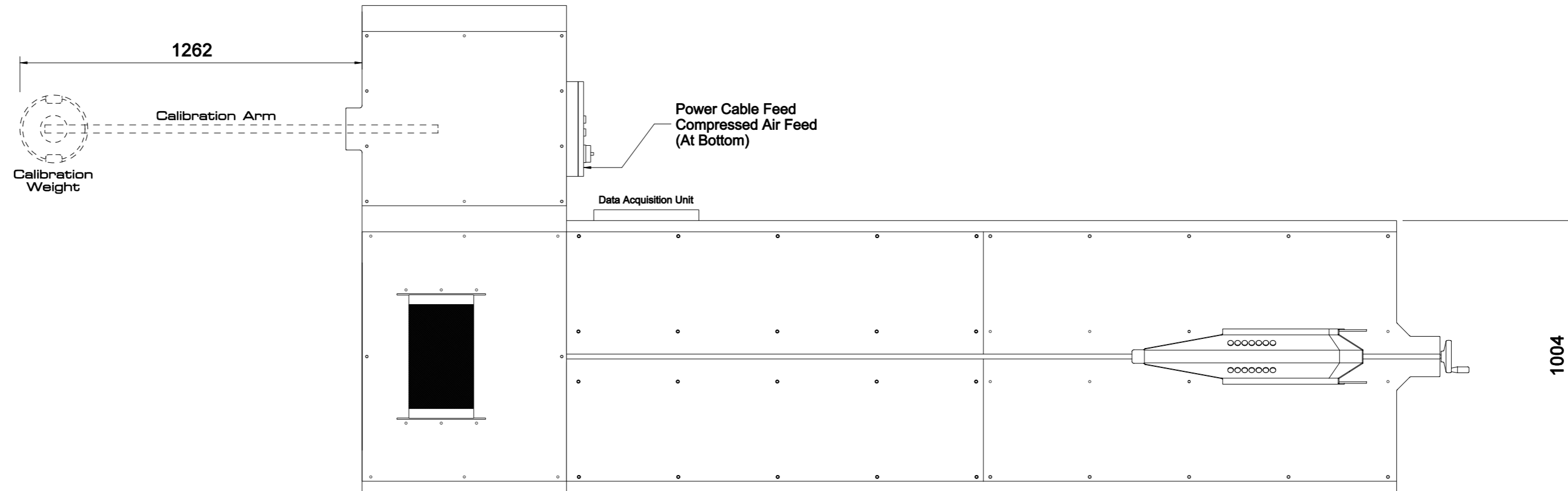
INSTALATION NOTES

Power cable Specification
6mm² Cable Recomend

190-240V ac Single Phase
Max Current 32Amps
Fuse at 32 Amps

Air Supply
90 to 120 psi
Consumption Less than 1 CFM

3RD ANGLE PROJECTION



<p>Unit 18 Sherrington Way Lister Road Industrial Estate Basingstoke Hampshire United Kingdom RG24 4DQ Tel UK: 08000 4321 68 Tel Int.: +44(0) 1256 363 063 www.dynapro.co.uk Copyright © Dyna Pro Dynamometers Ltd 2011</p>	ISSUE	CHANGE / CHANGE NOTE No.	DATE	DRAWN	DATE	CHECKED
	A	FIRST PRODUCTION	19/10/08	K.W DENT	11/12/09	
	B	UPDATED	11/12/09	SHEET 1 OF 1		SCALE 1:1
TITLE			DRAWING No.		ISSUE	
S125-LCE Dimensions			S125-LCE		B	

Specifications subject to change without notice.