

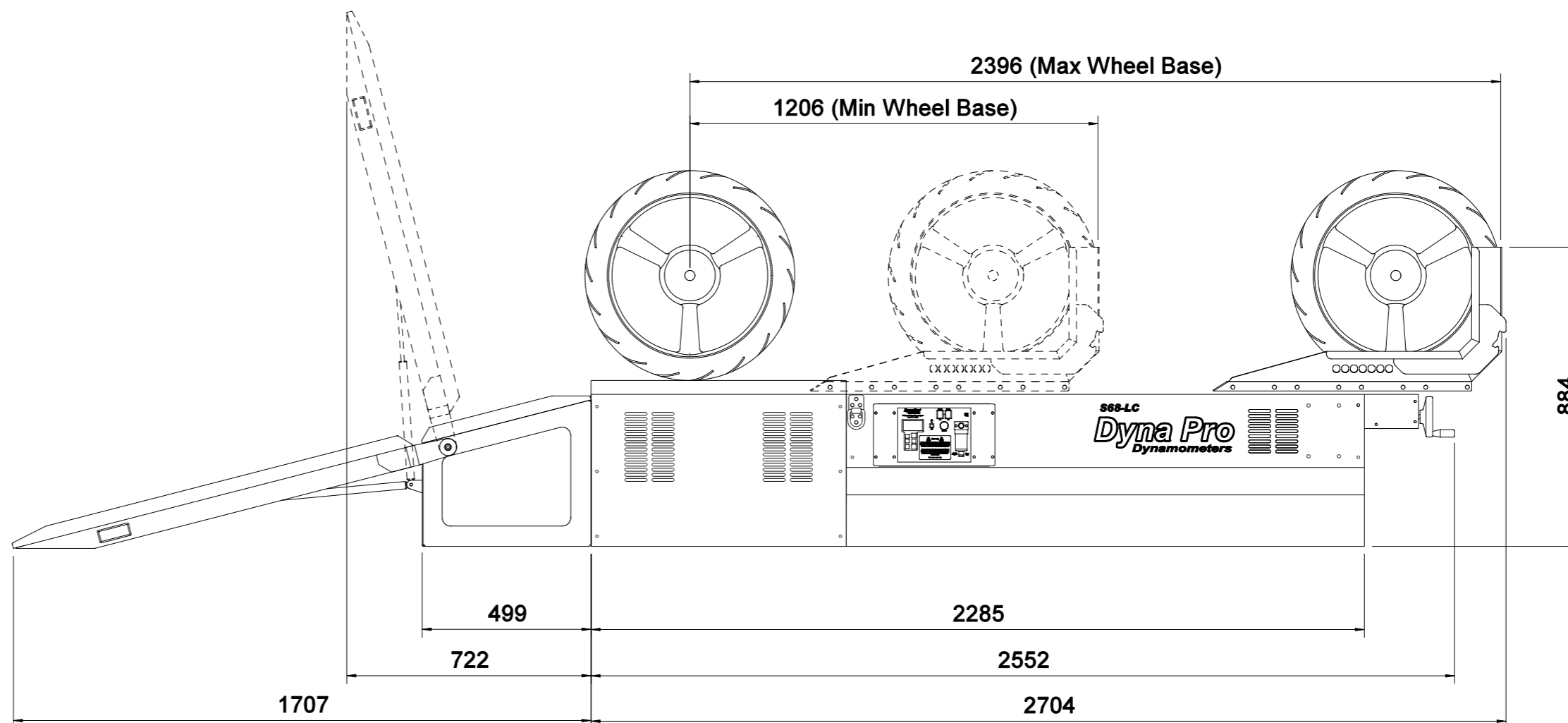
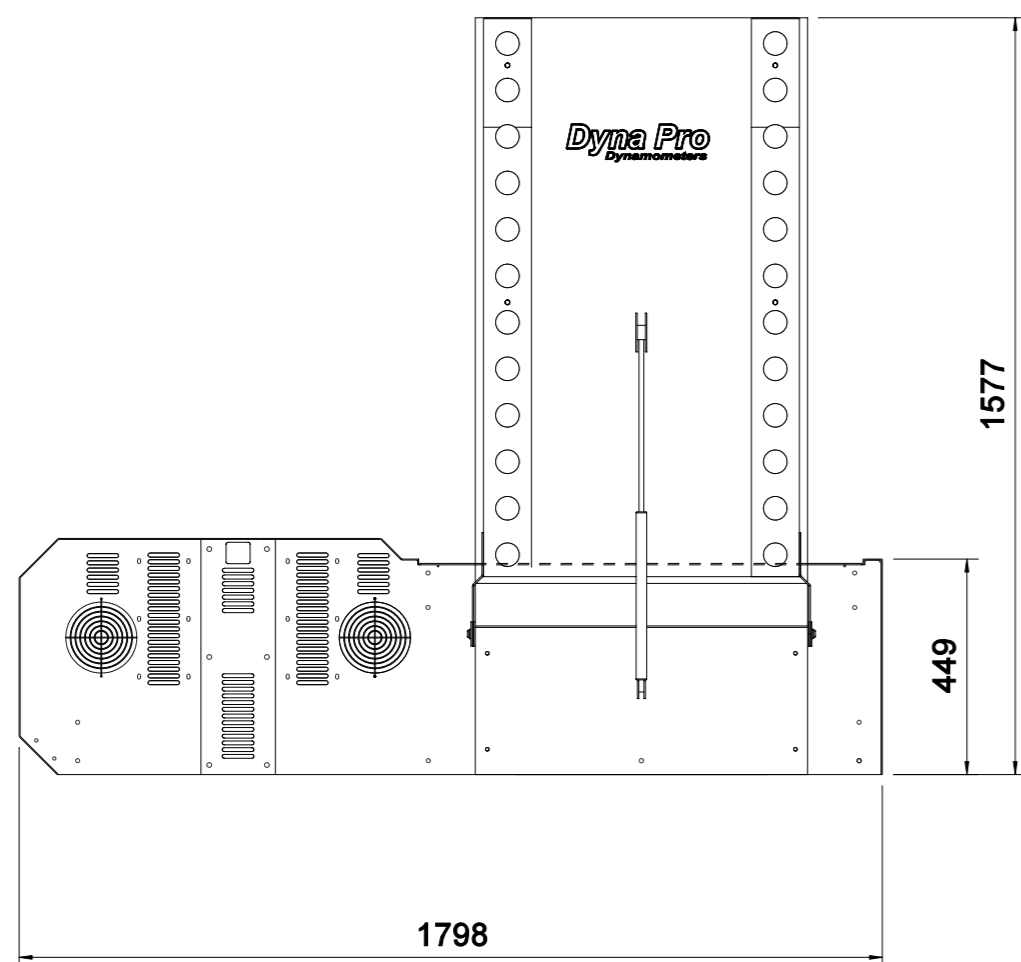
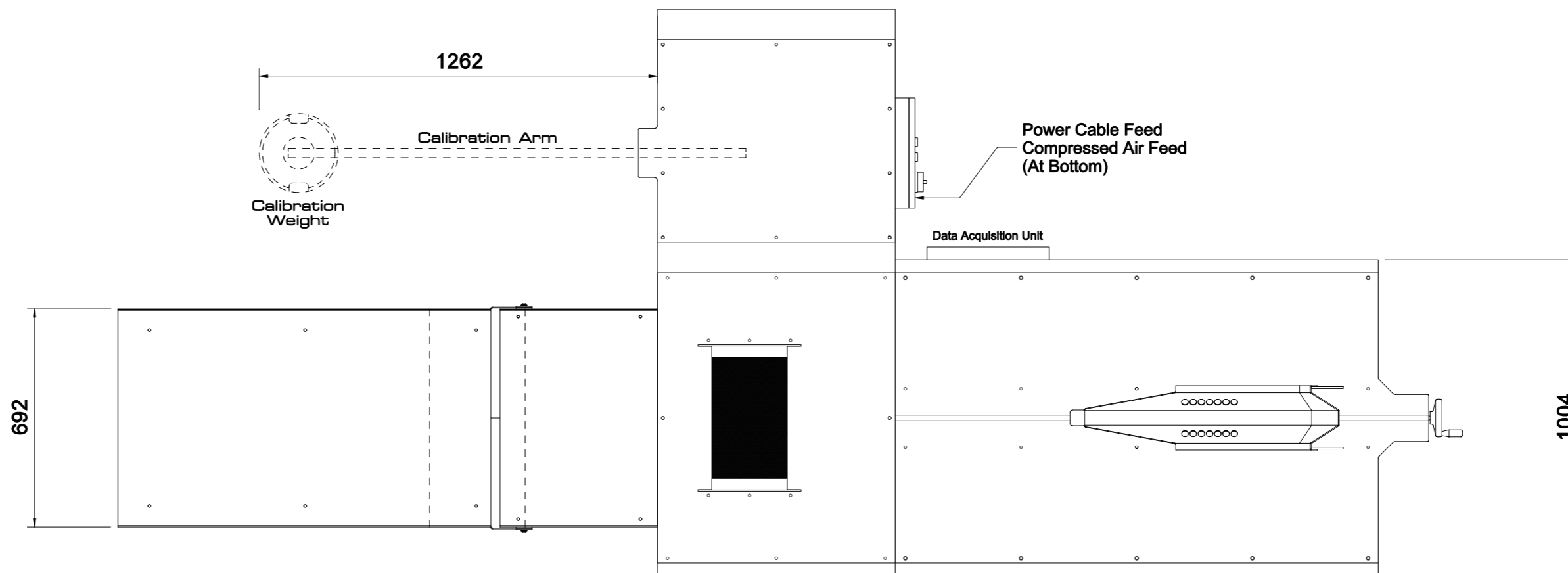
INSTALATION NOTES

Power cable Specification
6mm² Cable Recomend

190-240V ac Single Phase
Max Current 32Amps
Fuse at 32 Amps

Air Supply
90 to 120 psi
Consumption Less than 1 CFM

3RD ANGLE PROJECTION



Dyna Pro
Dynamometers

Unit 18 Sherrington Way Tel UK: 08000 4321 68
Lister Road Industrial Estate Tel Int.: +44(0) 1256 363 063
Basingstoke Hampshire www.dynapro.co.uk
United Kingdom RG24 4DQ
Copyright © Dyna Pro Dynamometers Ltd 2011

ISSUE	CHANGE / CHANGE NOTE No.	DATE	DRAWN	DATE	CHECKED
A	FIRST PRODUCTION	19/10/08	K.W DENT	11/12/09	
B	UPDATED	11/12/09	SHEET 1 OF 1		SCALE 1:1
TITLE			DRAWING No.		ISSUE
S68-LC Including Ramp			S68-LC+RAMP		B

Specifications subject to change without notice.