

1 2 3 4 5 6 7 8 9 10 11 12 13

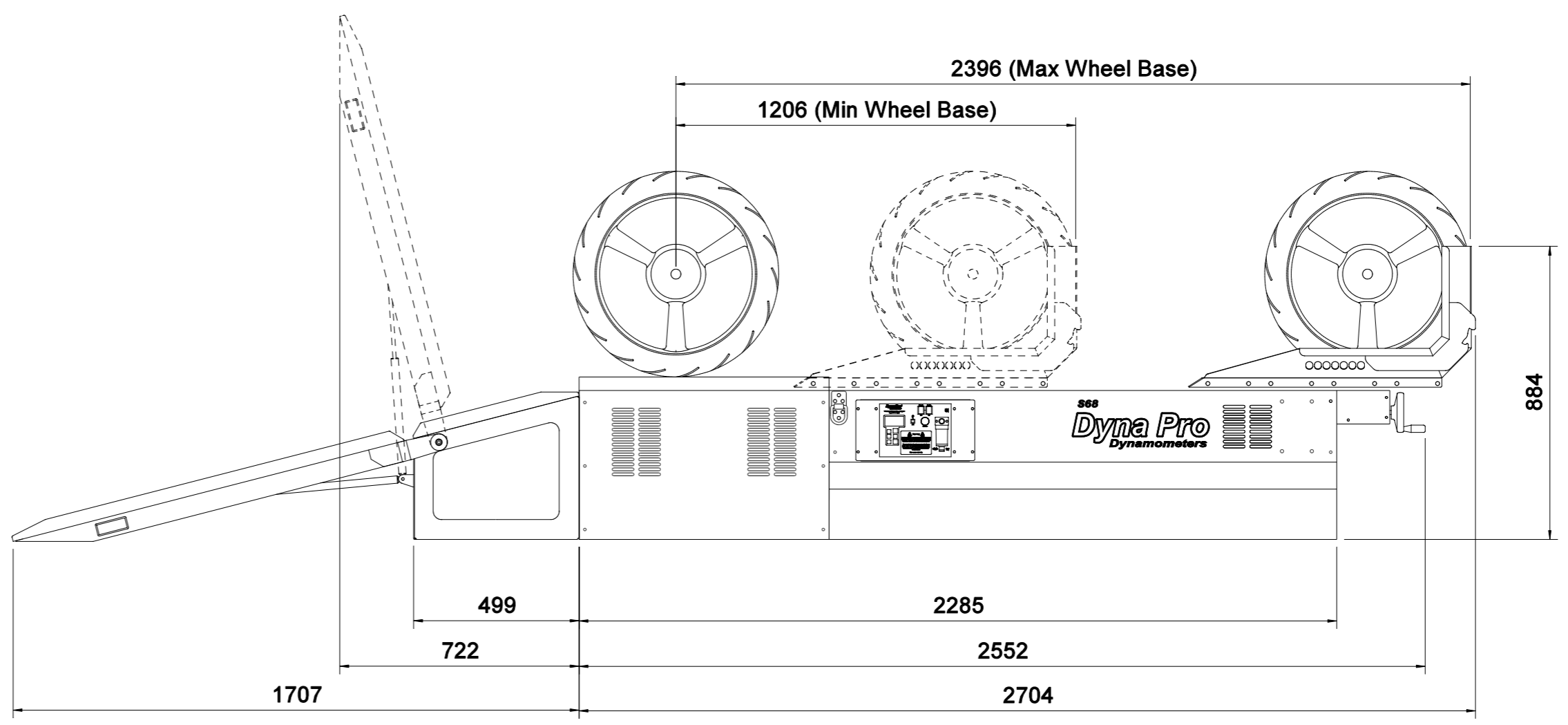
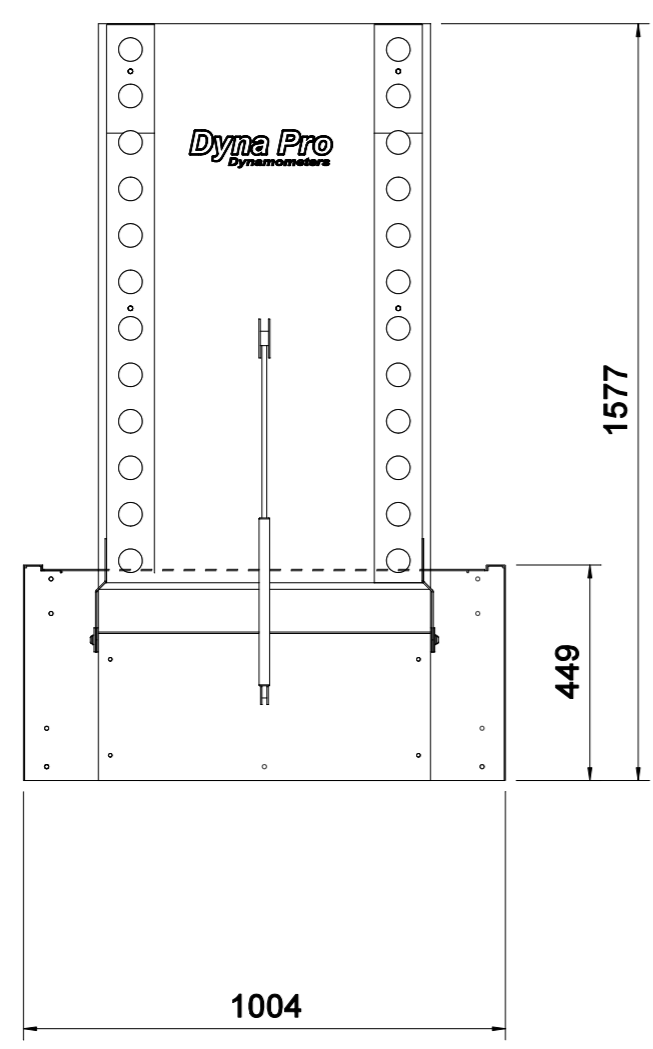
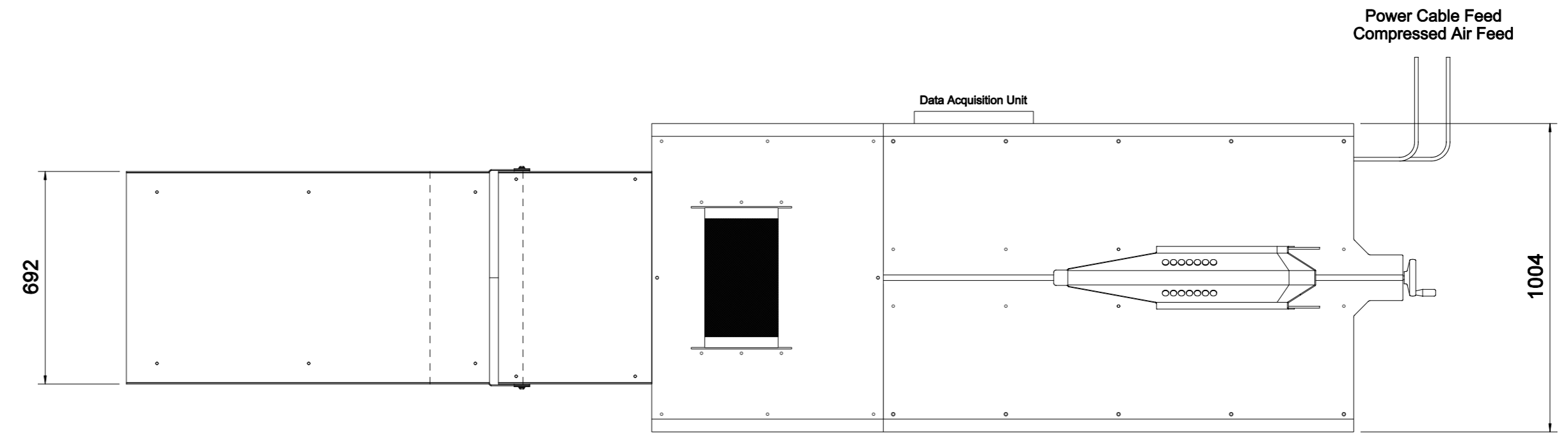
3RD ANGLE PROJECTION

INSTALATION NOTES

Power cable colour codes
BROWN - Live
BLUE - Neutral
GREEN/YELLOW - Earth
 2.5mm² Cable Recomendaded

190-240V ac Single Phase
 Max Current 20 Amps (With Fans)
 Fuse at 20 Amps

Air Supply
 90 to 120 psi
 Consumption Less than 1 CFM



Dyna Pro
 Dynamometers

Unit 18 Sherrington Way Tel UK: 08000 4321 68
 Lister Road Industrial Estate Tel Int.: +44(0) 1256 363 063
 Basingstoke Hampshire www.dynapro.co.uk
 United Kingdom RG24 4DQ
 Copyright © Dyna Pro Dynamometers Ltd 2011

ISSUE	CHANGE / CHANGE NOTE No.	DATE	DRAWN	DATE	CHECKED
A	FIRST PRODUCTION	19/10/08	K.W DENT	11/12/09	
B	UPDATED	11/12/09	SHEET 1 OF 1		SCALE 1:1
TITLE			DRAWING No.		ISSUE
S68 Including Ramp			S68+RAMP		B

Specifications subject to change without notice.

1 2 3 4 5 6 7 8 9 10 11 12 13