

TECHNICAL SPECIFICATIONS

Centrifugal fans that are direct drive, single inlet backward inclined. Suitable for the extraction of gases and fumes.

Air Volume: 2300 m³/hr
 Max Air Velocity: 36 m/s
 Motor Size: 1.5 Kw
 Inlet Size: 150 mm
 Outlet Size: 150mm

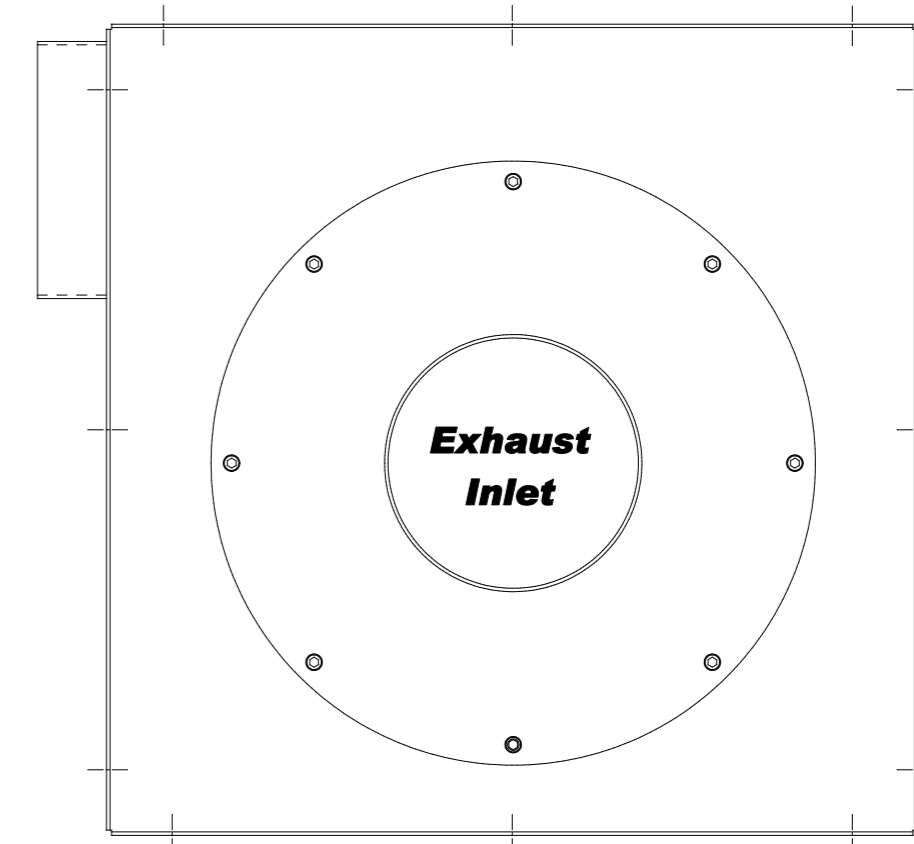
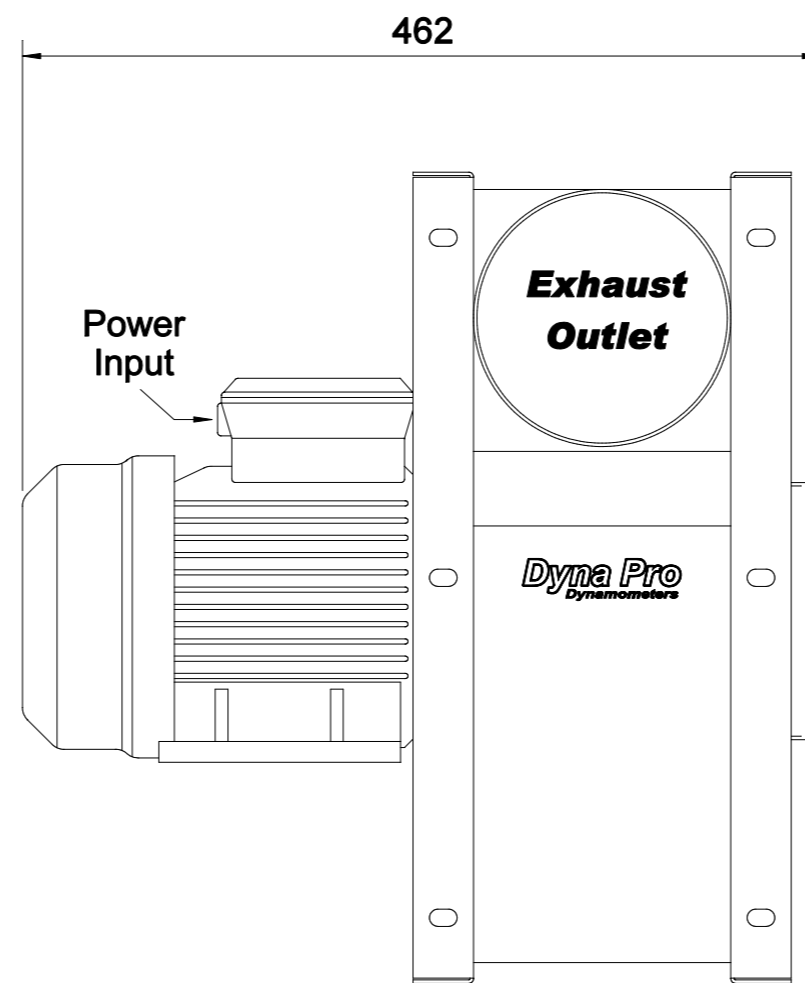
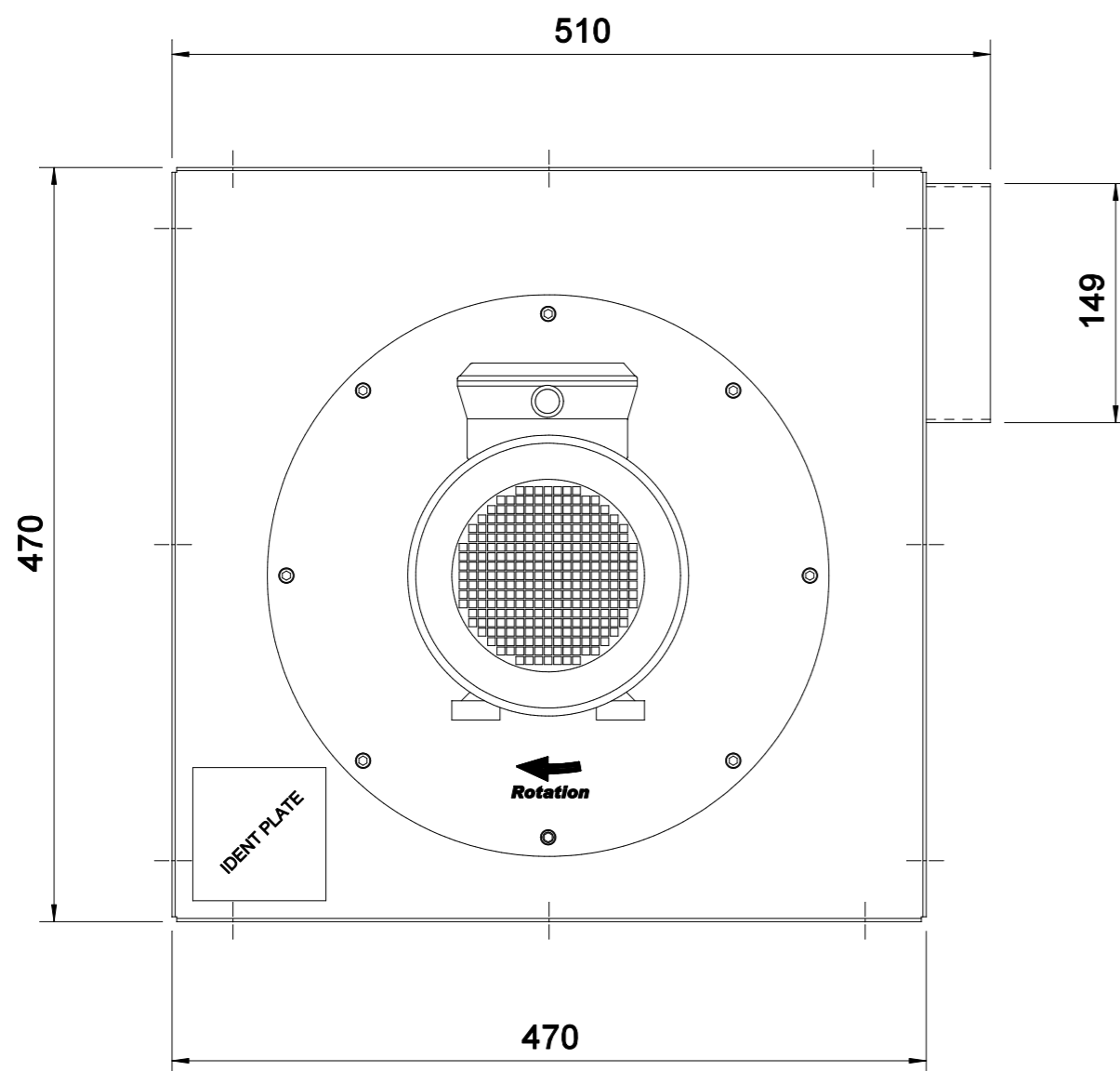
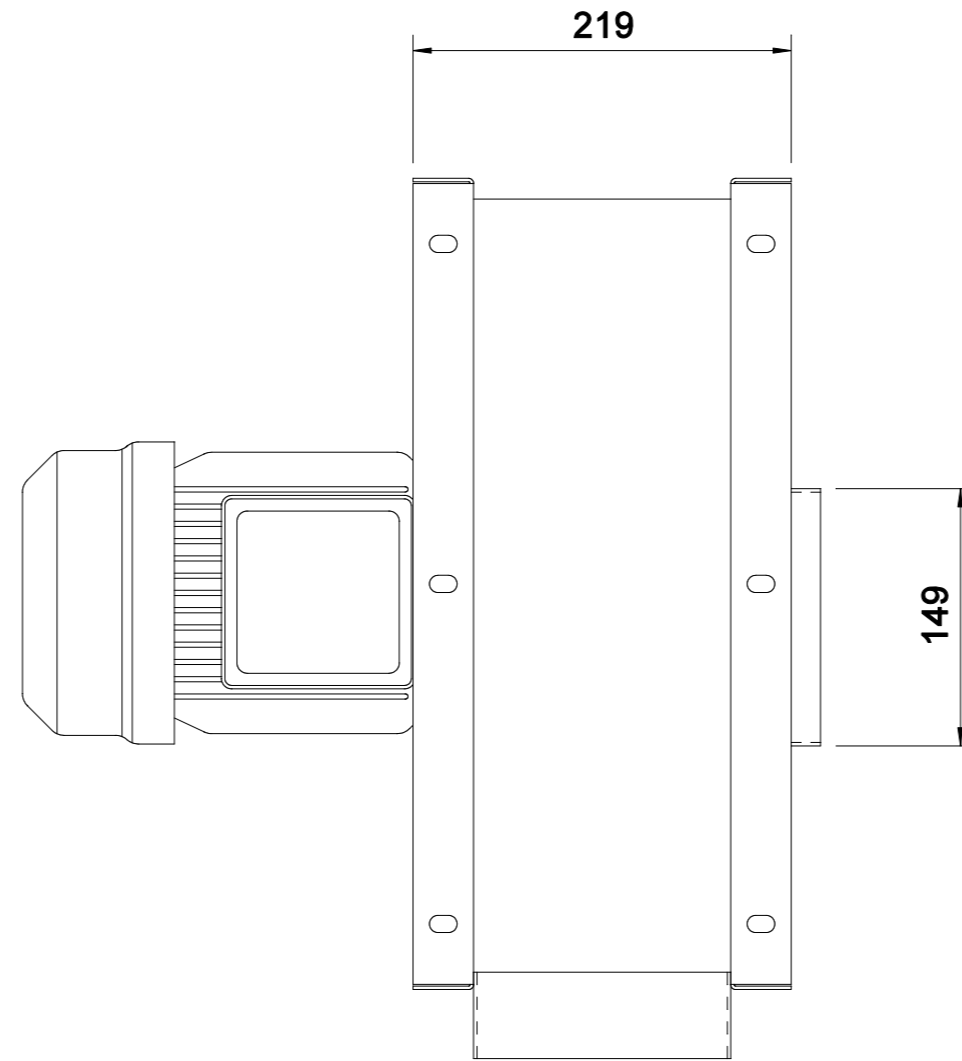
200-240V ac Single Phase
 380-440V ac 3 Phase

Weight: 38 Kg
 Fixing Hole Size M10 Clearance

Left Hand and Right Hand Available
 (Right Hand Shown)

Exhaust Fan Model Numbers:-
 DP-EGF-150-R-1 (Right Hand Fan - Single Phase)
 DP-EGF-150-R-3 (Right Hand Fan - 3 Phase)

DP-EGF-150-L-1 (Left Hand Fan - Single Phase)
 DP-EGF-150-L-3 (Left Hand Fan - 3 Phase)



Specifications subject to change without notice.



Unit 18 Sherrington Way
 Lister Road Industrial Estate
 Basingstoke Hampshire
 United Kingdom RG24 4DQ
 Copyright © Dyna Pro Dynamometers Ltd 2012

Tel UK: 08000 4321 68
 Tel Int.: +44(0) 1256 363 063
 www.dynapro.co.uk

ISSUE	CHANGE / CHANGE NOTE No.	DATE	DRAWN	DATE	CHECKED
A	FIRST PRODUCTION	27/01/12	K.W DENT	27/01/12	
TITTLE			DRAWING No.		ISSUE
Exhaust Extractor Fan (Right Hand)			DP-EGF-150-R		A

SHEET 1 OF 1 SCALE 1:1